



Characteristics

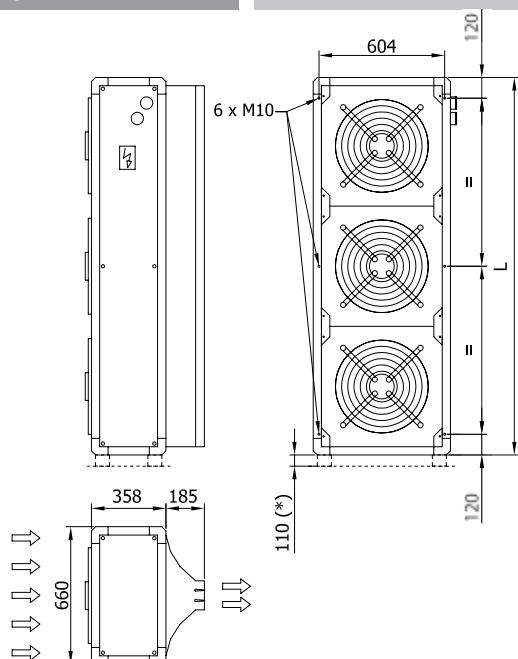


- MAX air curtains are usually mounted in vertical position, but can also be installed horizontally over industrial doors.
- Heavy casing made of double chamber aluminium profiles and hot galvanized plated steel panels, finished white RAL 9016 as standard. Other colours are available on request.
- Axial fans driven by an external rotor motor with built-in thermal contact protection. Provided with five speed selection. Extremely low noise. Maintenance free.
- “P” type includes water heated coils. “E” type includes electrical shielded elements, three power stages. “A” type is without heating, air only.
- Anodised aluminium blow-out vanes, airfoil shaped, adjustable from 0 to 15° each side.
- Control panel and 20m of telephonic cable with fast connectors type RJ45 (Plug & Play), included. Optional: Interface to connect to BMS.

Specifications

Model	Airflow m3/h	Water heating capacity 80/60°C kW	Water drop pressure 80/60°C Pa	Water connections 80/60°C	Water heating capacity 60/40°C kW	Water drop pressure 60/40°C Pa	Water connections 60/40°C	Electrical heating capacity 3x400V-50Hz kW	Fans power 230V-50Hz kW	Fans current 230V-50Hz A	Noise level (3 m) dB(A)	Weight kg
MAX 2 P	7000	40,70	12000	2x1¼"	34,20	13700	2x1¼"	-	0,68	2,96	59	75
MAX 2 E	8000	-	-	-	-	-	-	13,7/22,9/36,6	0,68	2,96	59	74
MAX 2 A	8000	-	-	-	-	-	-	-	0,68	2,96	59	59
MAX 3 P	10500	61,00	10000	2x1¼"	53,10	11100	2x1¼"	-	1,02	4,44	61	102
MAX 3 E	12000	-	-	-	-	-	-	20,7/34,7/55,4	1,02	4,44	61	100
MAX 3 A	12000	-	-	-	-	-	-	-	1,02	4,44	61	79
MAX 4 P	14000	85,90	13000	2x1¼"	74,20	16600	2x1¼"	-	1,36	5,92	62	135
MAX 4 E	16000	-	-	-	-	-	-	27,8/46,4/74,2	1,36	5,92	62	133
MAX 4 A	16000	-	-	-	-	-	-	-	1,36	5,92	62	103
MAX 5 P	17500	108,00	17600	2x1¼"	93,00	13400	2x1¼"	-	1,70	7,40	64	162
MAX 5 E	20000	-	-	-	-	-	-	34,8/58,2/93	1,70	7,40	64	159
MAX 5 A	20000	-	-	-	-	-	-	-	1,70	7,40	64	124
MAX 6 P	21000	127,00	6640	2x1¼"	104	3610	2x1¼"	-	2,04	8,88	65	189
MAX 6 E	24000	-	-	-	-	-	-	consult	2,04	8,88	65	186
MAX 6 A	24000	-	-	-	-	-	-	-	2,04	8,88	65	151

Dimensions



	L
MAX 2	1236
MAX 3	1814
MAX 4	2386
MAX 5	2970
MAX 6	3548

