



## Characteristics



- Specially designed to be installed in all types of revolving doors. Three possible layouts, tailored dimensions.
- Structure made of aluminium profiles and galvanized plated steel panels and nozzle, finished in structural epoxy-polyester white RAL 9016 as standard. Other colours are available on request.
- Low noise centrifugal double inlet fans driven by an external rotor motor with built in thermal protection contact. Provided with five speed selection.
- "P" type includes water heated coils. "E" type includes electrical shielded elements, three power stages with power switches included. "A" type is without heating, air only.
- Circular discharge jet with anodised aluminium blow-out vanes, airfoil shaped.
- Control panel and 20m of telephonic cable with fast connectors type RJ45 (Plug & Play), included. Optional: Interface to connect to BMS.

## Specifications

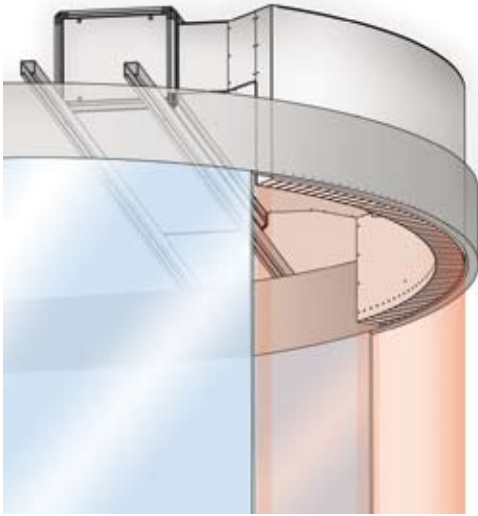
Model	Airflow m <sup>3</sup> /h	Heating Capacity 80/60°C	Water Drop Pressure 80/60°C	Water Connections 80/60°C	Heating Capacity 60/40°C	Water Drop Pressure 60/40°C	Water Connections 60/40°C	Electrical Heating Capacity 3x400V-50Hz	Fans Power 230V-50Hz	Fans Current 230V-50Hz	Noise Level (3 m)	Weight kg
		kW	Pa		kW	Pa		kW	kW	A	dB(A)	
ROTO M 1000 P	1875	10,52	890	2x3/4"	9,04	4660	2x3/4"	-	0,558	2,52	54	-
ROTO M 1000 E	1950	-	-	-	-	-	-	3/6/9	0,558	2,52	54	-
ROTO M 1000 A	1950	-	-	-	-	-	-	-	0,558	2,52	54	-
ROTO M 1500 P	2500	16,14	2940	2x3/4"	13,28	6390	2x3/4"	-	0,744	3,36	55	-
ROTO M 1500 E	2600	-	-	-	-	-	-	4/8/12	0,744	3,36	55	-
ROTO M 1500 A	2600	-	-	-	-	-	-	-	0,744	3,36	55	-
ROTO M 2000 P	3750	24,22	8380	2x3/4"	19,11	5140	2x3/4"	-	1,116	5,04	56	-
ROTO M 2000 E	3900	-	-	-	-	-	-	6/12/18	1,116	5,04	56	-
ROTO M 2000 A	3900	-	-	-	-	-	-	-	1,116	5,04	56	-
ROTO M 2500 P	4375	28,66	3750	2x3/4"	22,80	3930	2x3/4"	-	1,302	5,88	57	-
ROTO M 2500 E	4550	-	-	-	-	-	-	6/12/18	1,302	5,88	57	-
ROTO M 2500 A	4550	-	-	-	-	-	-	-	1,302	5,88	57	-
ROTO G 1000 P	2700	13,10	1300	2x3/4"	11,31	6850	2x3/4"	-	0,765	3,33	55	-
ROTO G 1000 E	2775	-	-	-	-	-	-	5/10/15	0,765	3,33	55	-
ROTO G 1000 A	2775	-	-	-	-	-	-	-	0,765	3,33	55	-
ROTO G 1500 P	3600	20,30	4500	2x3/4"	16,72	9400	2x3/4"	-	1,020	4,44	56	-
ROTO G 1500 E	3700	-	-	-	-	-	-	7,5/15/22,5	1,020	4,44	56	-
ROTO G 1500 A	3700	-	-	-	-	-	-	-	1,020	4,44	56	-
ROTO G 2000 P	5400	30,40	12850	2x3/4"	24,18	7900	2x3/4"	-	1,530	6,66	57	-
ROTO G 2000 E	5550	-	-	-	-	-	-	10/20/30	1,530	6,66	57	-
ROTO G 2000 A	5550	-	-	-	-	-	-	-	1,530	6,66	57	-
ROTO G 2500 P	6300	36,00	5700	2x3/4"	28,90	6000	2x3/4"	-	1,785	7,77	58	-
ROTO G 2500 E	6475	-	-	-	-	-	-	10,7/21,3/32	1,785	7,77	58	-
ROTO G 2500 A	6475	-	-	-	-	-	-	-	1,785	7,77	58	-



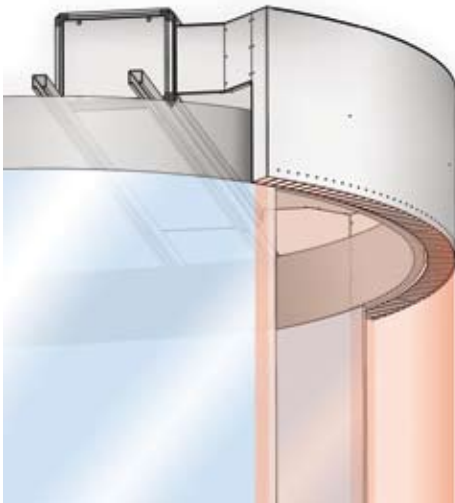
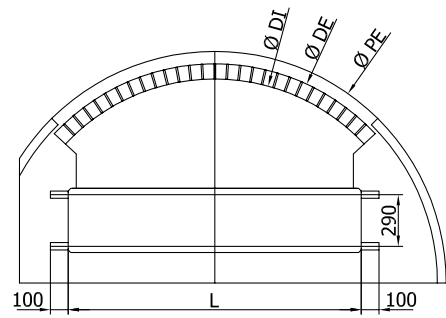
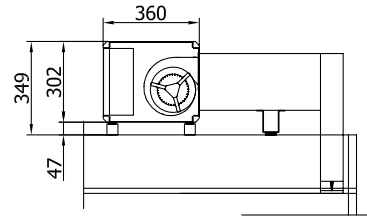


Layouts and dimensions

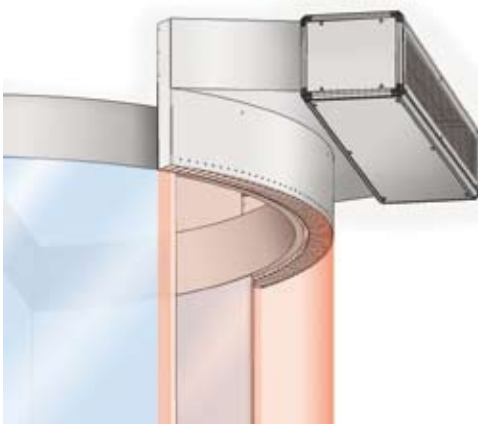
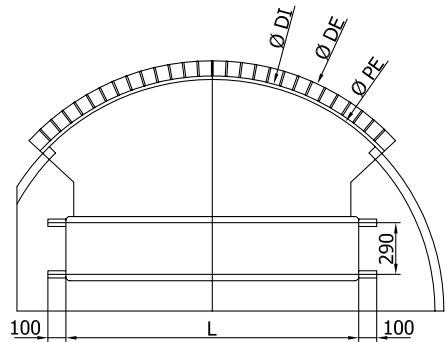
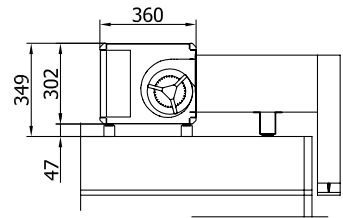
RotoWind air curtains are tailor-made for any kind of revolving door according to the following layouts.



On top mounting, internal discharge



On top mounting, external discharge



False ceiling mounting, external discharge

