



Characteristics



- Self-supporting casing construction made of galvanized plated steel, ready to be installed recessed in a false ceiling.
- The inlet grille and blow-out nozzle are integrated in a single white frame, colour RAL 9016. Other colours are available on request.
- Low noise centrifugal double inlet fans driven by an external rotor motor with built in thermal protection contact. Provided by five speed selection.
- "P" type includes water heated coils. "E" type includes electrical shielded elements, three power stages with power switches included. "A" type is without heating, air only.
- Anodised aluminium blow-out vanes, airfoil shaped, pitch angle adjustable each side.
- Control panel and 20m of telephonic cable with fast connectors type RJ45 (Plug & Play), included. Optional: Interface to connect to BMS.

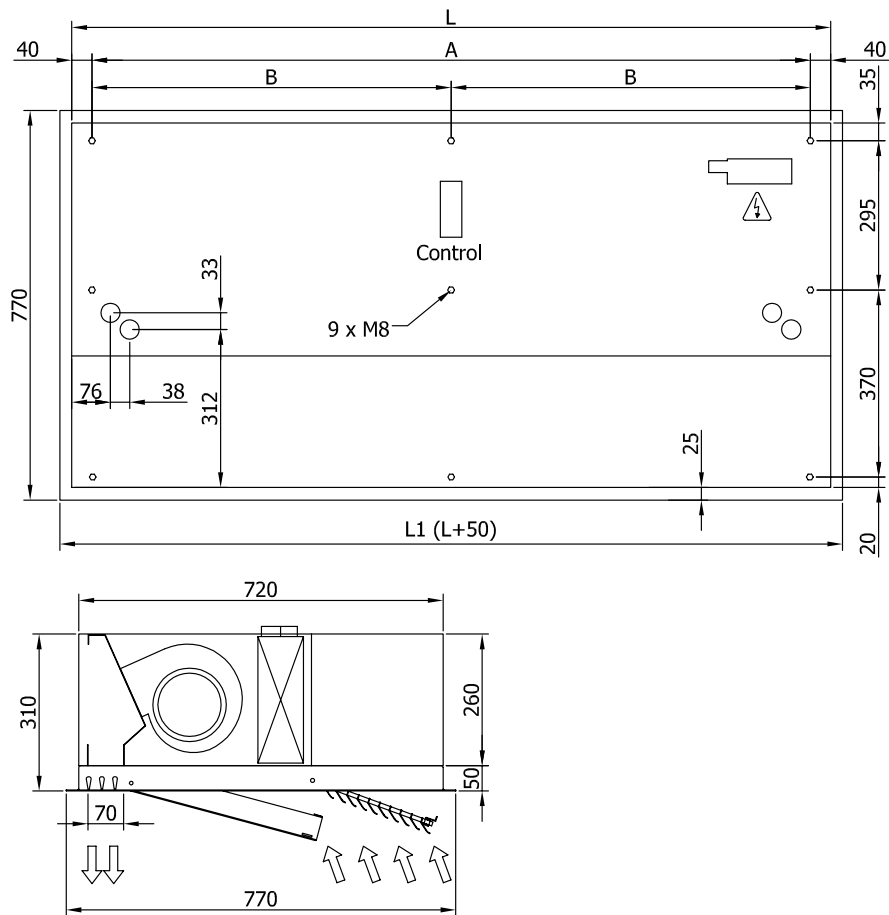
Specifications

Model	Airflow m3/h	Heating Capacity 80/60°C	Water Drop Pressure 80/60°C	Water Connections 80/60°C	Heating Capacity 60/40°C	Water Drop Pressure 60/40°C	Water Connections 60/40°C	Electrical Heating Capacity 3x400V-50Hz	Fans Power 230V-50Hz	Fans Current 230V-50Hz	Noise Level (3 m) dB(A)	Weight kg
		kW	Pa		kW	Pa		kW	kW	A		
RS 1000 P	1250	8,53	7200	2x3/4"	6,50	2250	2x3/4"	-	0,372	1,68	53	56
RS 1000 E	1300	-	-	-	-	-	-	3/6/9	0,372	1,68	53	58
RS 1000 A	1300	-	-	-	-	-	-	-	0,372	1,68	53	51
RS 1500 P	1875	12,92	3200	2x3/4"	10,62	8300	2x3/4"	-	0,558	2,52	54	83
RS 1500 E	1950	-	-	-	-	-	-	4/8/12	0,558	2,52	54	87
RS 1500 A	1950	-	-	-	-	-	-	-	0,558	2,52	54	75
RS 2000 P	2500	18,11	8300	2x3/4"	14,10	4400	2x3/4"	-	0,744	3,36	55	107
RS 2000 E	2600	-	-	-	-	-	-	6/12/18	0,744	3,36	55	114
RS 2000 A	2600	-	-	-	-	-	-	-	0,744	3,36	55	96
RS 2500 P	3125	22,20	3000	2x3/4"	18,10	8650	2x3/4"	-	0,930	4,20	56	121
RS 2500 E	3250	-	-	-	-	-	-	6/12/18	0,930	4,20	56	128
RS 2500 A	3250	-	-	-	-	-	-	-	0,930	4,20	56	108
RS 3000 P	3750	28,39	4440	2x3/4"	21,47	3910	2x3/4"	-	1,116	5,04	57	135
RS 3000 E	3900	-	-	-	-	-	-	8/16/24	1,116	5,04	57	142
RS 3000 A	3900	-	-	-	-	-	-	-	1,116	5,04	57	122
RM 1000 P	1800	10,27	850	2x3/4"	8,72	4250	2x3/4"	-	0,510	2,22	54	56
RM 1000 E	1850	-	-	-	-	-	-	3/6/9	0,510	2,22	54	58
RM 1000 A	1850	-	-	-	-	-	-	-	0,510	2,22	54	51
RM 1500 P	2700	16,98	3250	2x3/4"	13,86	6700	2x3/4"	-	0,765	3,33	55	83
RM 1500 E	2775	-	-	-	-	-	-	4/8/12	0,765	3,33	55	87
RM 1500 A	2775	-	-	-	-	-	-	-	0,765	3,33	55	75
RM 2000 P	3600	23,60	8000	2x3/4"	18,58	4900	2x3/4"	-	1,020	4,44	56	107
RM 2000 E	3700	-	-	-	-	-	-	6/12/18	1,020	4,44	56	114
RM 2000 A	3700	-	-	-	-	-	-	-	1,020	4,44	56	96
RM 2500 P	4500	29,16	3860	2x3/4"	23,18	4050	2x3/4"	-	1,275	5,55	57	121
RM 2500 E	4625	-	-	-	-	-	-	6/12/18	1,275	5,55	57	128
RM 2500 A	4625	-	-	-	-	-	-	-	1,275	5,55	57	108
RM 3000 P	5400	35,78	6790	2x3/4"	28,65	7150	2x3/4"	-	1,53	6,66	58	135
RM 3000 E	5550	-	-	-	-	-	-	8/16/24	1,53	6,66	58	142
RM 3000 A	5550	-	-	-	-	-	-	-	1,53	6,66	58	122
RG 1000 P	2700	13,10	1300	2x3/4"	11,31	6850	2x3/4"	-	0,765	3,33	55	61
RG 1000 E	2775	-	-	-	-	-	-	5/10/15	0,765	3,33	55	63
RG 1000 A	2775	-	-	-	-	-	-	-	0,765	3,33	55	55
RG 1500 P	3600	20,30	4500	2x3/4"	16,72	9400	2x3/4"	-	1,020	4,44	56	89
RG 1500 E	3700	-	-	-	-	-	-	7,5/15/22,5	1,020	4,44	56	93
RG 1500 A	3700	-	-	-	-	-	-	-	1,020	4,44	56	80



Model	Airflow m ³ /h	Heating capacity 80/60°C kW	Water Drop Pressure 80/60°C Pa	Water Connection 80/60°C	Heating Capacity 60/40°C kW	Water Drop Pressure 60/40°C Pa	Water Connection 60/40°C	Electrical Heating Capacity 3x400V-50Hz kW	Power Fans 230V-50Hz kW	Current Fans 230V-50Hz A	Noise Level (3 m) dB(A)	Weight kg
RG 2000 P	5400	30,40	1285	2x3/4"	24,18	7900	2x3/4"	-	1,530	6,66	57	117
RG 2000 E	5550	-	-	-	-	-	-	10,7/21,3/32	1,530	6,66	57	124
RG 2000 A	5550	-	-	-	-	-	-	-	1,530	6,66	57	106
RG 2500 P	6300	36,00	5700	2x3/4"	28,90	6000	2x3/4"	-	1,785	7,77	58	129
RG 2500 E	6475	-	-	-	-	-	-	10,7/21,3/32	1,785	7,77	58	138
RG 2500 A	6475	-	-	-	-	-	-	-	1,785	7,77	58	118
RG 3000 P	7200	42,91	9530	2x3/4"	34,62	10070	2x3/4"	-	2,04	8,88	59	149
RG 3000 E	7400	-	-	-	-	-	-	10,7/21,3/32	2,04	8,88	59	158
RG 3000 A	7400	-	-	-	-	-	-	-	2,04	8,88	59	138

Dimensions



	L	L1	A	B
Recessed Windbox 1000	1000	1050	920	-
Recessed Windbox 1500	1500	1550	1420	710
Recessed Windbox 2000	2000	2050	1920	960
Recessed Windbox 2500	2500	2550	2420	1210
Recessed Windbox 3000	3000	3050	2920	1460

