



Characteristics



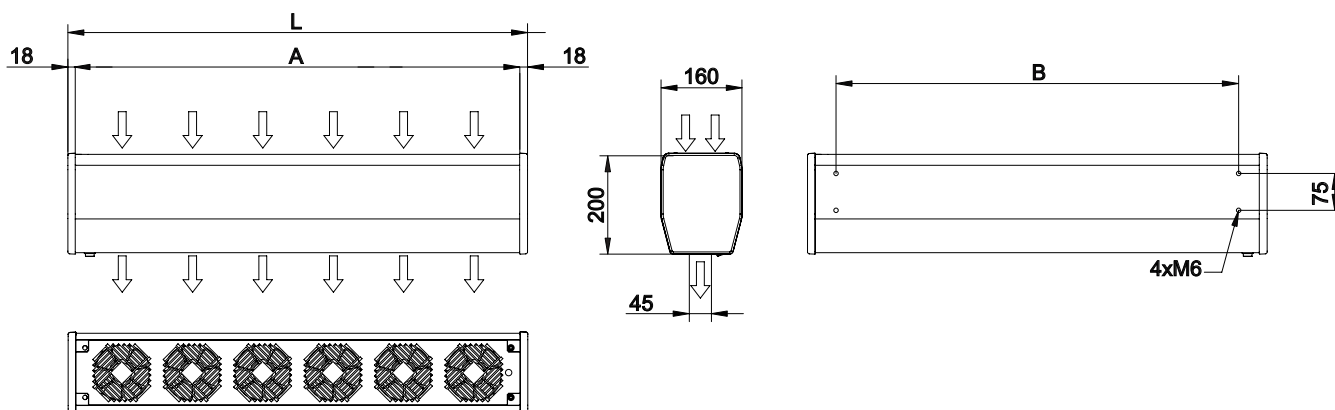
- Self-supporting casing construction made of galvanized plated steel, painted epoxy-polyester structural grey colour RAL 7047.
- Low noise compact axial fans.
- “E” type with heating includes electrical shielded elements. “A” type is without heating, air only.
- Linear blow-out jets with airfoil profiled anodized aluminium lamellas.
- Integrated switches for ventilation and heating control.
- Cable connection of 1,5m length, integrated.
- Wall support included.

Specifications

		MIN 600 A	MIN 600 E	MIN 900 A	MIN 900 E
Power (Fans)	W	112	112	168	168
Voltage	V	230~1	230~1	230~1	230~1
Current	A	0,52	0,52	0,78	0,78
Speed	rpm	2800	2800	2800	2800
Airflow	m³/h	400	400	600	600
Power (Heating)	kW	-	2,5	-	3,2
Voltage	V	-	230~1	-	230~1
Current	A	-	10,4	-	16,7
Temperature Rise	°C	-	18	-	19
Weight	kg	9	10	12,5	13,5
Noise Level	dB(A)	47	47	48	48
Maximum Height (*)	m	1,8	1,8	1,8	1,8

(*) Depending on installation conditions

Dimensions



	L	A	B
MIN 600	636	600	520
MIN 900	936	900	820

