



Characteristics



- Self-supporting casing construction made of zinc plated steel, ready to be installed recessed in a false ceiling.
- The inlet grille and the blow-out jet are integrated in a single aluminium frame, painted epoxy-polyester white colour RAL 9016.
- Low noise twisted cross-flow fans driven with a two speed external rotor motor.
- "P" type includes water heated coils. "E" type includes electrical shielded elements, two power stages with power switches included. "A" type is without heating, air only.
- Control panel and 20m of telephonic cable with fast connectors type RJ45 (Plug & Play), included. Optional: Interface to connect to BMS.

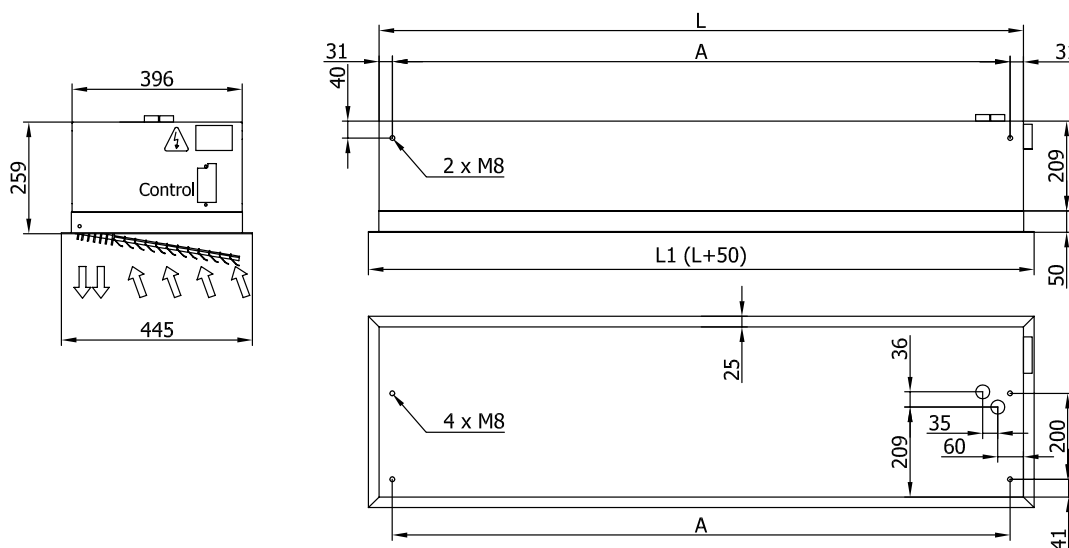
Specifications

		RO 1000 A	RO 1000 P	RO 1000 E	RO 1500 A	RO 1500 P	RO 1500 E
Power (Fan)	W	45/98	45/98	45/98	61/112	61/112	61/112
Voltage	V	230V~1	230V~1	230V~1	230V~1	230V~1	230V~1
Current	A	0,23/0,50	0,23/0,50	0,23/0,50	0,33/0,55	0,33/0,55	0,33/0,55
Speed	rpm	1.350	1.350	1.350	1.300	1.300	1.300
Airflow Min./Max.	m ³ /h	850/1.200	850/1.200	850/1.200	1.200/1.700	1.200/1.700	1.200/1.700
Power (Heating)	kW	-	6,95	4/6	-	10,15	6/9
Voltage (*)	V	-	-	400~3	-	-	400~3
Current	A	-	-	5,8/8,7	-	-	8,7/13
Temperature Rise	°C	-	11/15	14/15	-	11,5/16,5	15/16
Weight	kg	21,5	24,5	24,5	31,5	33,5	33,5
Noise Level	dB(A)	41/50	41/50	41/50	43/52	43/52	43/52
Maximum Height (**)	m	2,2	2,2	2,2	2,2	2,2	2,2

(*) "E" model available with electrical heating at 230V, single phase.

(**) Depending on installation conditions

Dimensions



	L	L1	A
RO 1000	1000	1050	938
RO 1500	1500	1550	1438

